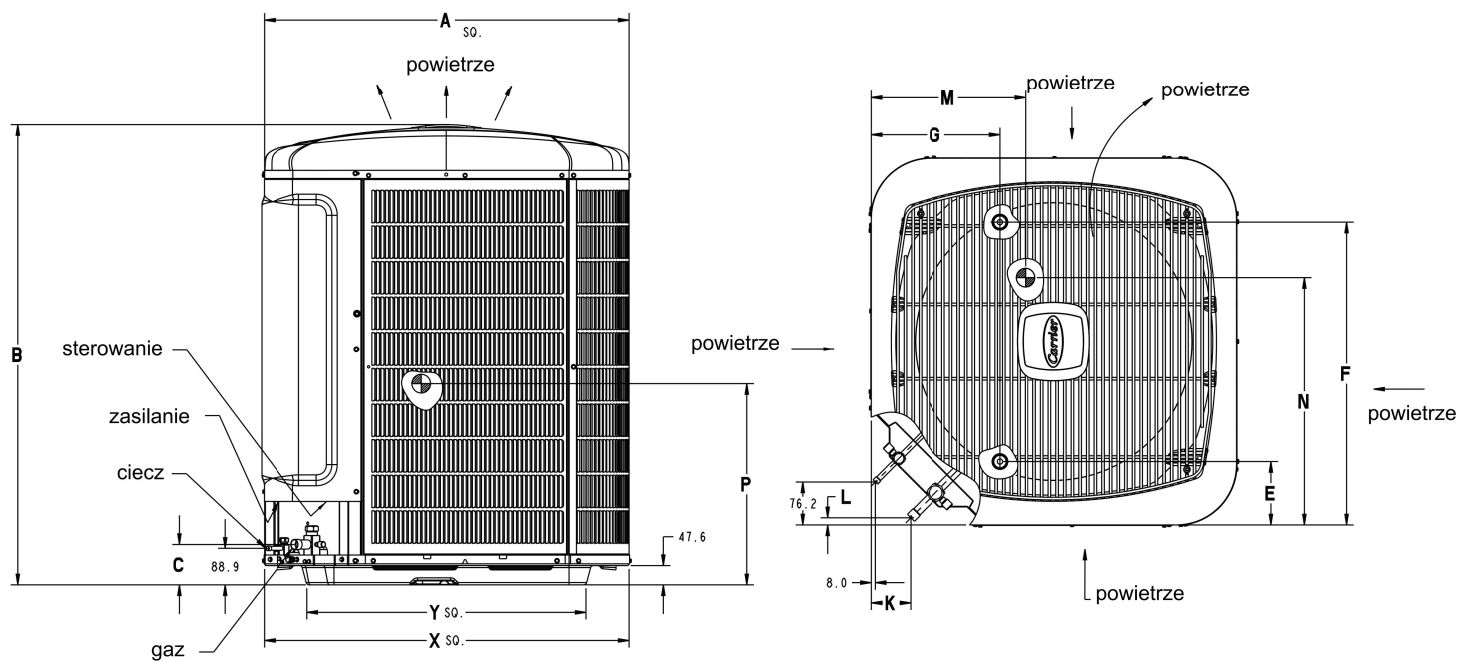


|           |  |  |  |  |  | A     | B      | C    | D    | E     | F     | G     | K    | L    | M     | N     | P     | Waga (kg) | Waga w op. | Wymiary w opakowaniu   |
|-----------|--|--|--|--|--|-------|--------|------|------|-------|-------|-------|------|------|-------|-------|-------|-----------|------------|------------------------|
| 25VNA836A |  |  |  |  |  | 587.3 | 975.9  | 96.1 | 19.1 | 112.7 | 458.8 | 198.4 | 71.4 | 12.7 | 273.1 | 273.1 | 463.6 | 74.4      | 86.2       | 641.5 X 641.5 X 1102.2 |
| 25VNA848A |  |  |  |  |  | 792.2 | 1010.3 | 98.4 | 22.2 | 166.7 | 627.1 | 231.8 | 74.6 | 15.9 | 368.3 | 371.5 | 476.3 | 98.9      | 116.6      | 846.6 X 846.6 X 1172.2 |
| 25VNA860A |  |  |  |  |  | 792.2 | 1096.7 | 98.4 | 22.2 | 166.7 | 627.1 | 231.8 | 74.6 | 15.9 | 419.1 | 381.0 | 508.0 | 111.1     | 129.7      | 846.6 X 846.6 X 1258.6 |

11



|       | X - podstawa na gruncie | Y - podstawa na dachu |
|-------|-------------------------|-----------------------|
| 36    | 587.4                   | 451.3                 |
| 48,60 | 792.2                   | 583.2                 |